

I-Series Plus 175K BTU and Larger Free-Standing Boiler Rack

Assembly Instructions

Product Name	Free-Standing Rack for I-Series Plus 175K BTU and Larger Condensing Boilers (Indoor Combi and Heat-Only)
Product Part Number	RACKP
Compatible Rinnai Boiler Models	IP175199C, IP199199C, IP175S, IP199S

Overview

This document explains how to:

- Assemble the Boiler Rack (Figure 1)
- Assemble the Add-On Extension Kit (if purchased) (Figure 2)
- Attach the boiler (purchased separately) to the rack



Fig. 1

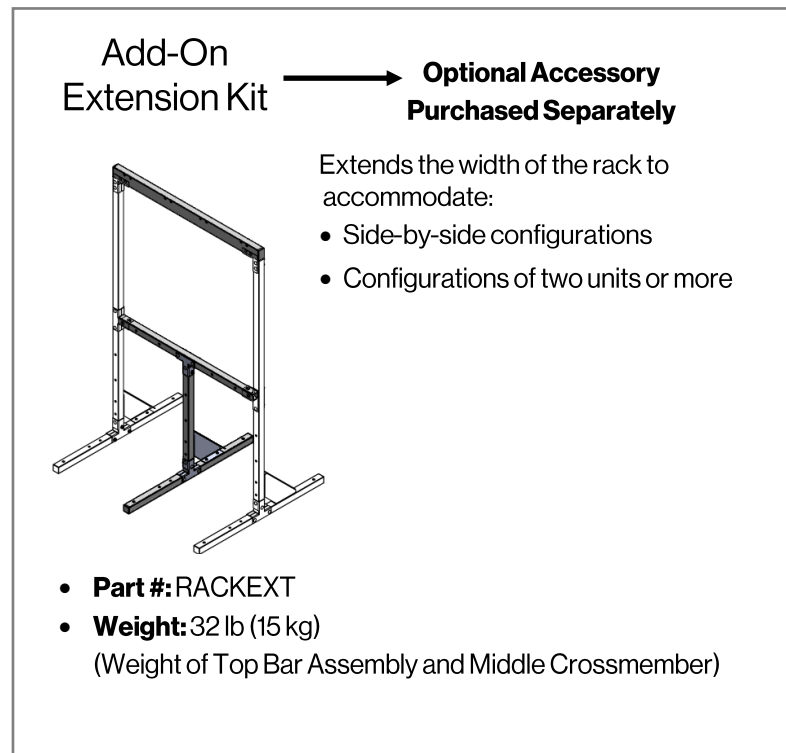


Fig. 2

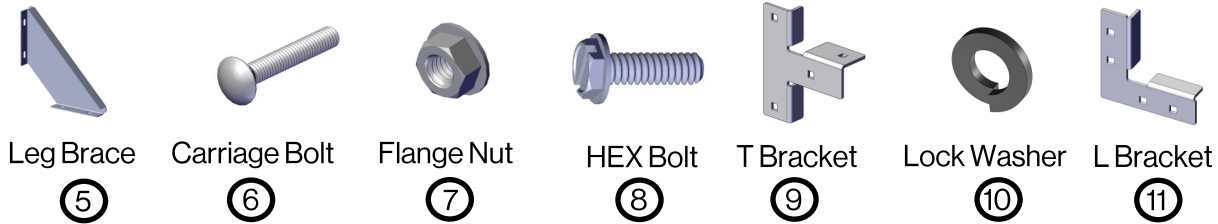
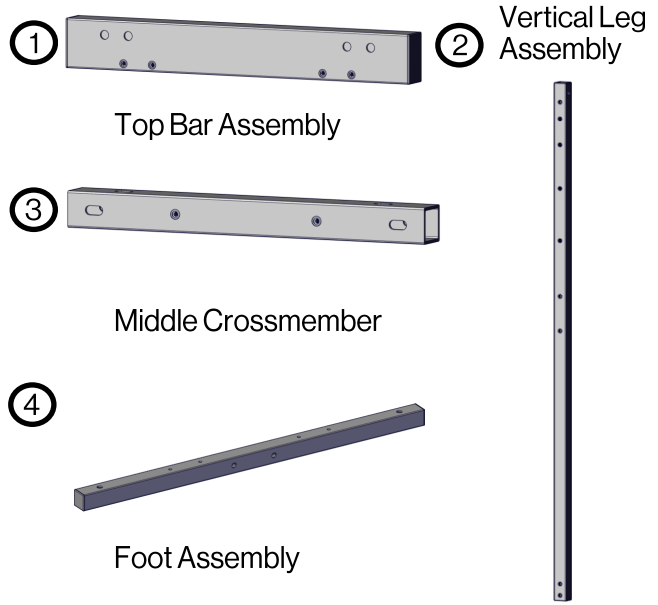
Items Inside Product Box

Before assembly, please make sure all parts are located inside the product box.

Boiler Rack Contents

Table 1

Item #	Item	Qty
1	Top Bar Assembly	1
2	Vertical Leg Assembly	2
3	Middle Crossmember	1
4	Foot Assembly	2
5	Leg Brace	2
6	Carriage Bolt (5/16 in.-18 x 2)	24
7	Flange Nut (5/16 in.-18)	24
8	HEX Bolt (#10-24 x 5/8 in.)	24
9	T Bracket	8
10	Lock Washer	24
11	L Bracket	4

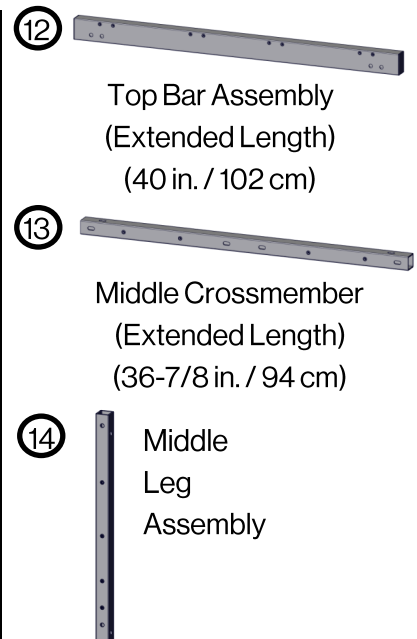


Add-On Extension Kit Contents (If Purchased)

Contents of the Add-On Extension Kit (if purchased) are shown below.

Table 2

Item #	Item	Qty
12	Top Bar Assembly (Extended Length) (40 in. / 102 cm)	1
13	Middle Crossmember (Extended Length) (36-7/8 in. / 94 cm)	1
14	Middle Leg Assembly	1
The following contents are shown in above section:		
4	Foot Assembly	1
5	Leg Brace	1
6	Carriage Bolt (5/16 in.-18 x 2)	8
7	Flange Nut (5/16 in.-18)	8
8	HEX Bolt (#10-24 x 5/8 in.)	8
9	T Bracket	4
10	Lock Washer	8



You Will Need

Field-Supplied:

- Rinnai I-Series Plus 175K BTU and Larger Boiler (purchased separately) with supplied mounting bracket and Installation and Operation Manual.
- Screwdriver, 5/16 in. nut driver, and adjustable wrench
- (Recommended) Four (4) screws/expansion anchors for anchoring rack to floor. Reference local codes for minimum concrete thickness and use appropriate expansion anchors capable of supporting the rack system weight and applicable Rinnai boiler weights.
 - For rack weights, see Figures 1 and 2 on the first page of this document.
 - For boiler weights, refer to the Installation and Operation Manual supplied with the unit.

Assembly Instructions

Follow the instructions below to assemble the Large Boiler Rack and Add-On Extension Kit (if purchased).

1. Install four (4) T Brackets and two (2) L Brackets to the Vertical Leg Assembly using six (6) Carriage Bolts, Lock Washers, and Flange Nuts (Fig 3). Repeat this step on the other side.

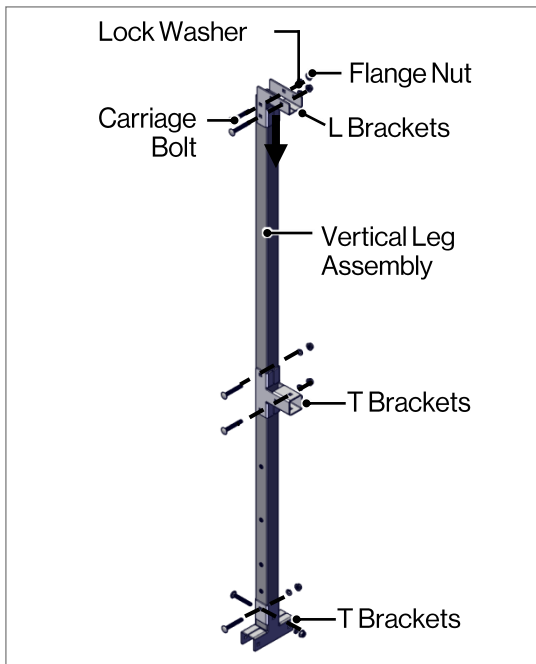


Fig. 3

2. Attach the Middle Crossmember (item # 3) or extended length Middle Crossmember (item # 13) to the Vertical Leg Assemblies with four (4) Carriage Bolts, four (4) Flange Nuts, and four (4) lock washers (Fig 4).

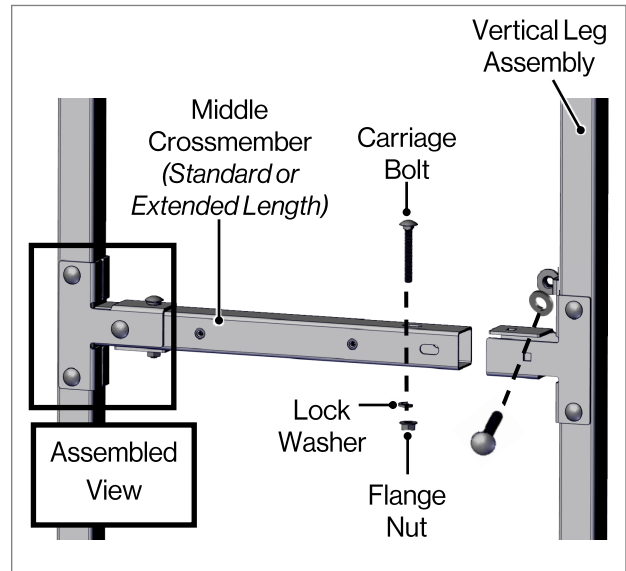


Fig. 4

3. Attach the Foot Assembly to the Vertical Leg Assembly using two (2) Carriage Bolts, two (2) Lock Washers, and two (2) Flange Nuts (Fig 5). Repeat this step on the other side.

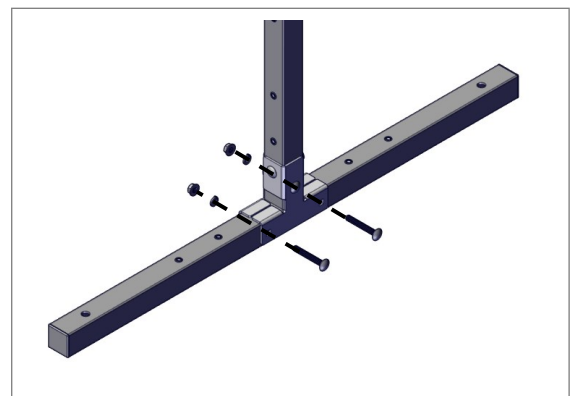


Fig. 5

- Attach one Leg Brace to the Vertical Leg Assembly/Foot Assembly with four (4) Hex Bolts (Fig 6). Repeat this step on the other side.

The Leg Brace can attach to the front or back of the assembly.

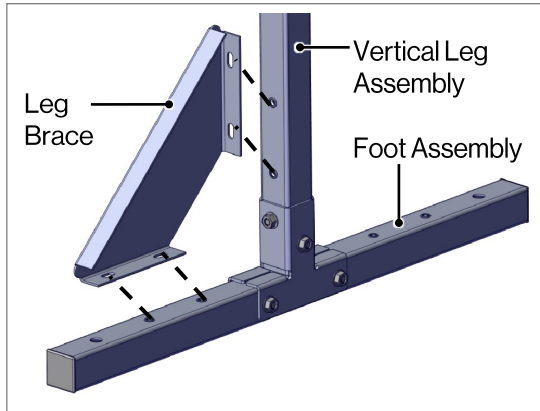


Fig. 6

- Attach the Top Bar Assembly (item # 1) or extended length Top Bar Assembly (item # 12) to the Vertical Leg Assemblies with four (4) Carriage Bolts, four (4) Flange Nuts, and four (4) lock washers (Fig 7).

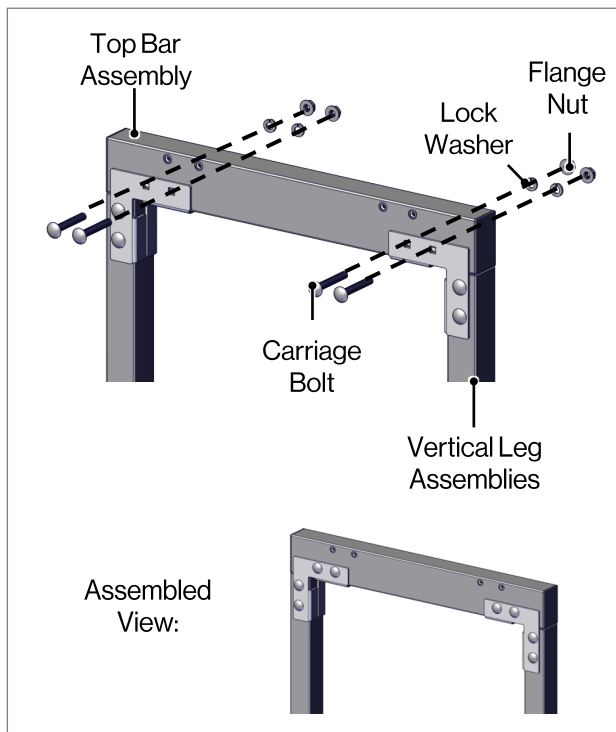


Fig. 7

6. If Installing the Add-On Extension Kit:

- Assemble the Middle Leg Assembly to the Middle Crossmember using two (2) T Brackets, four (4) Carriage Bolts, four (4) Lock Washers, and four (4) Flange Nuts (Fig 8).
- Attach the Leg Brace to the Middle Leg Assembly with four (4) Hex Bolts.

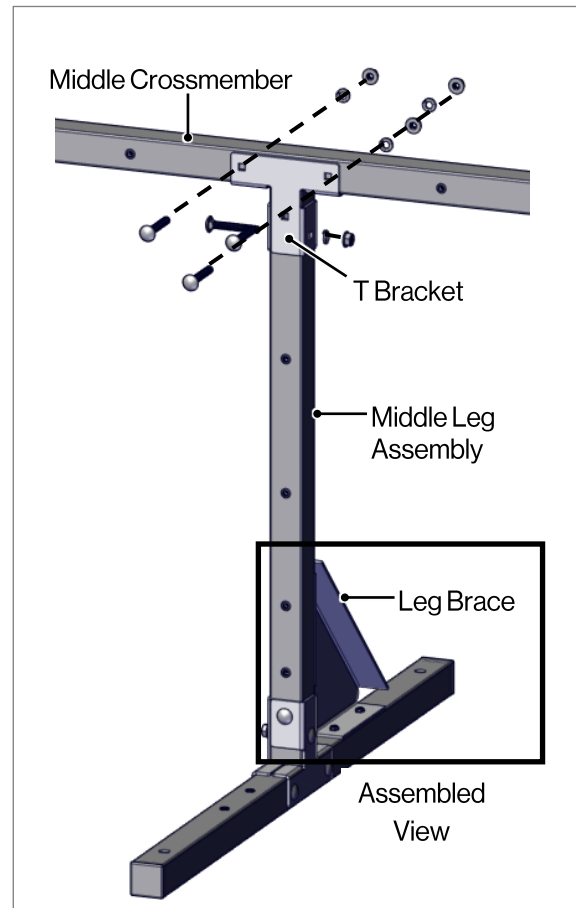


Fig. 8

7. (Recommended) Install four (4) screws and/or expansion anchors (field-supplied) through the base of the legs to prevent tipping potential (Fig 9).

CAUTION

Reference local codes regarding minimum concrete thickness and use appropriate expansion anchors that are capable of supporting the rack system weight and applicable Rinnai boiler weights.

- For rack weights, see Figures 1 and 2 on the first page of this document.
- For boiler weights, refer to the Installation and Operation Manual supplied with the unit.

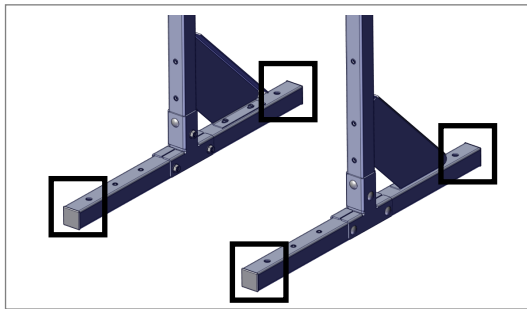


Fig. 9

8. Hang the Rinnai Boiler onto the rack by following the steps below:

Using four (4) Hex Bolts (supplied), attach the hanging bracket (supplied with the boiler) to the through-holes on the left and right sides of the Top Bar Assembly (Fig 10).

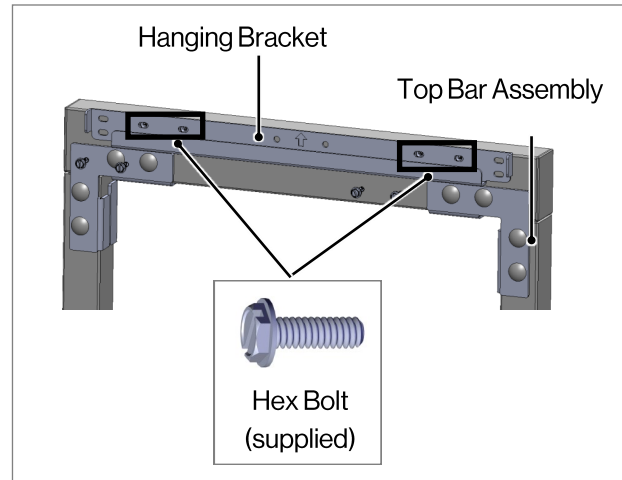


Fig. 10

9. Hang the boiler onto the hanging bracket (Fig 11). Reference the Boiler Installation and Operation Manual for detailed instructions.

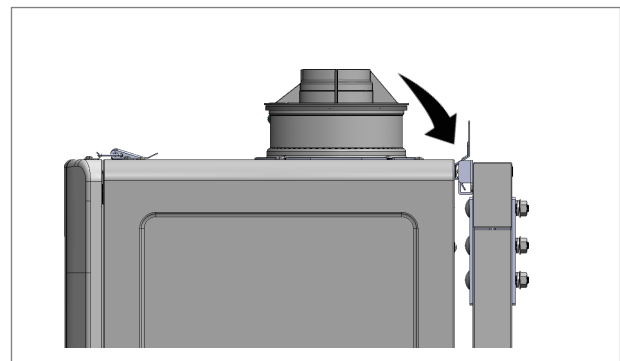


Fig. 11

10. Secure the bottom mounting bracket to the Middle Crossmember using two (2) Hex Bolts (supplied) (Fig 12).

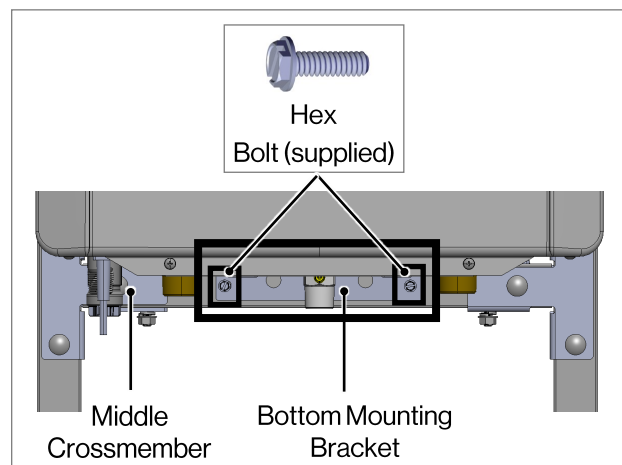


Fig. 12

NOTE 

The Vertical Leg Assemblies contain rivet nuts (#10-24 thread) on both sides of the rack to allow for installation of field-supplied unistruts (Fig 13). Unistruts allow plumbing components or accessories to be mounted on the rack.

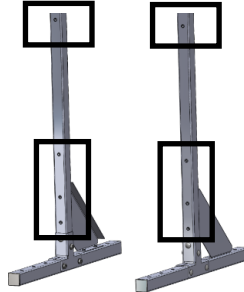


Fig. 13

Rack assembly instructions are complete.

To continue with installation of the boiler (such as connecting the water, gas or power supply), refer to the Installation and Operation Manual supplied with the unit.

If You Need Service

Contact Rinnai Customer Care at: 1-800-621-9419.

800000282

10/2024